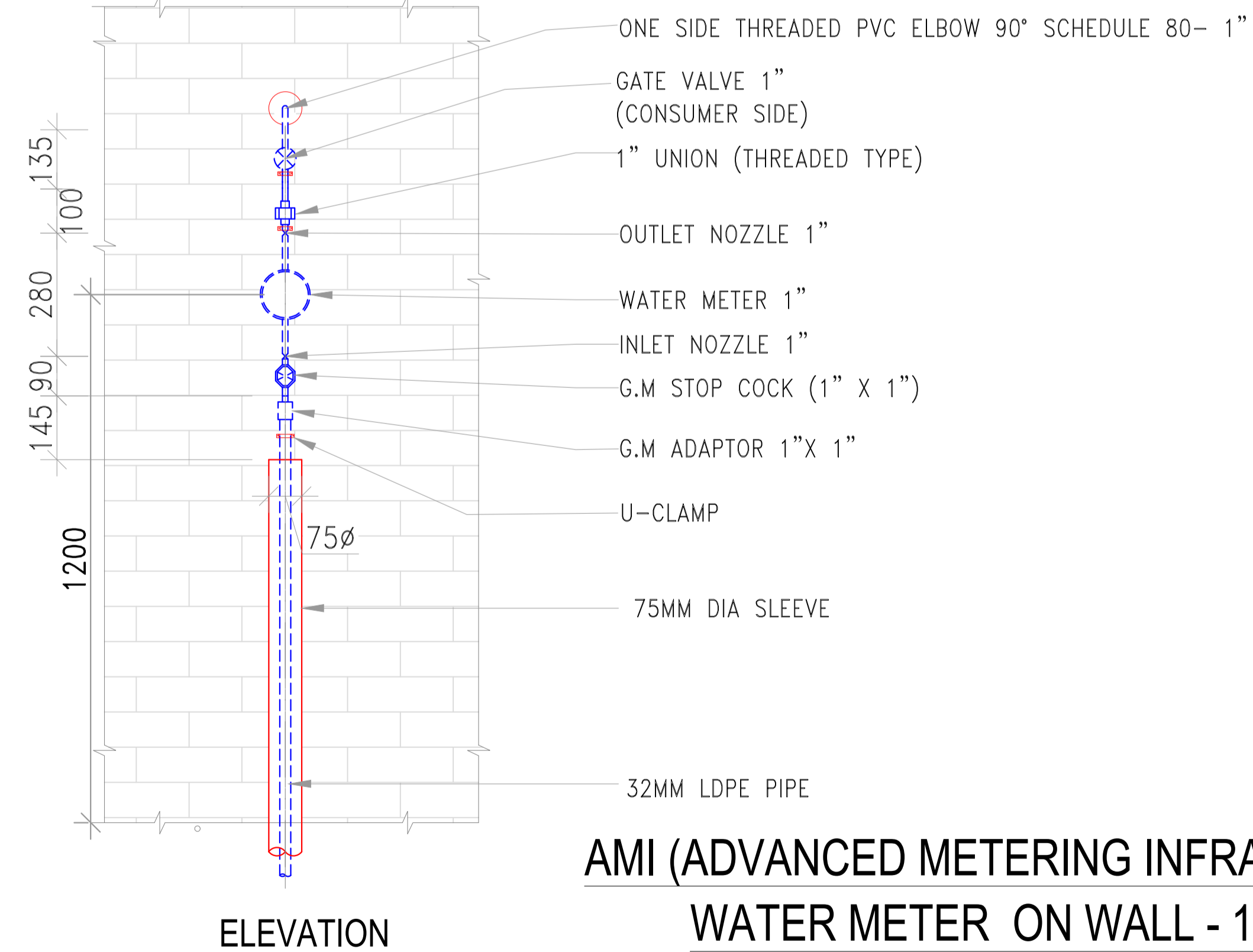
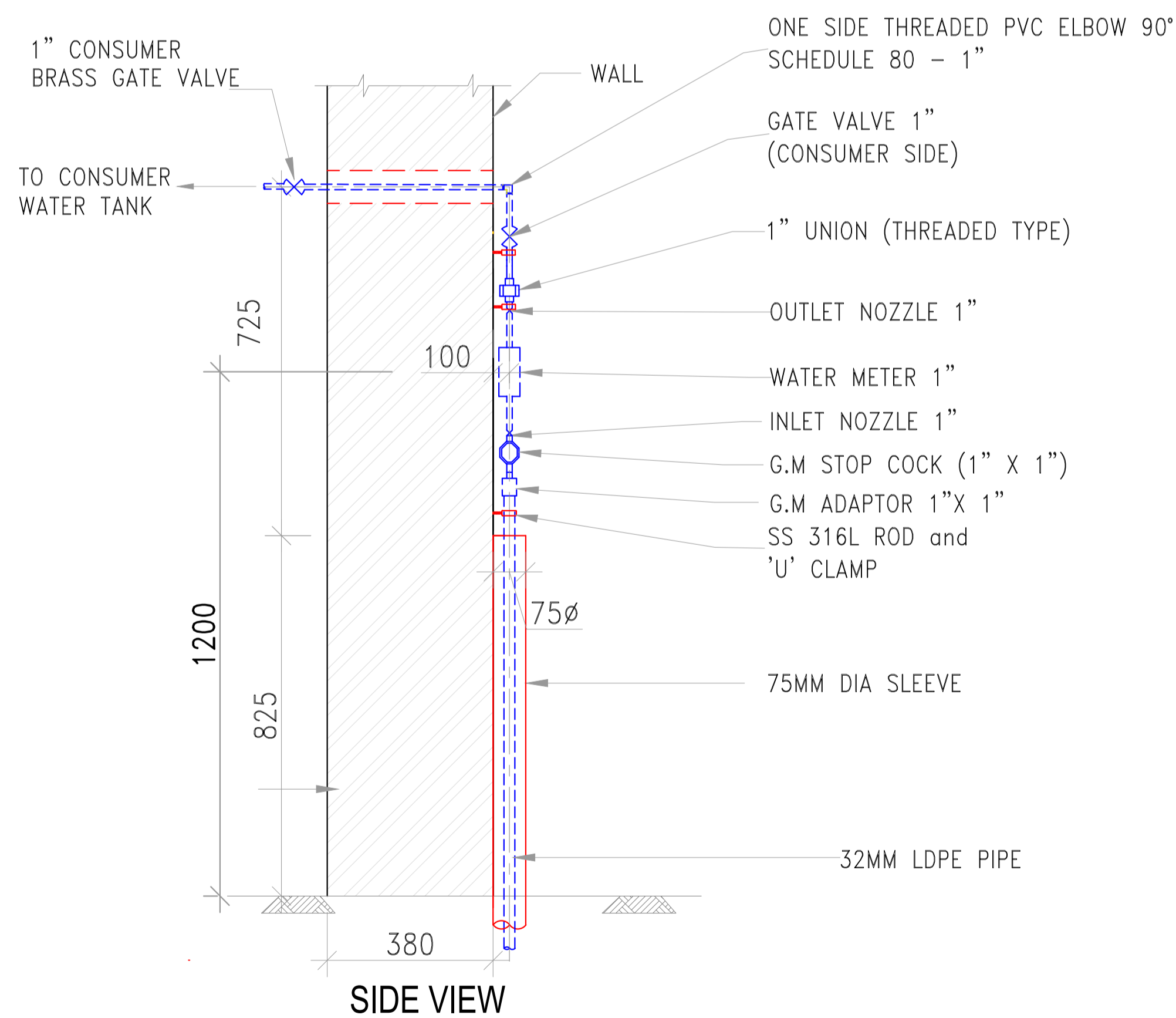



AMI (ADVANCED METERING INFRASTRUCTURE)  
WATER METER ON WALL -1/2" METER



AMI (ADVANCED METERING INFRASTRUCTURE)  
WATER METER ON WALL - 1" METER

AMI (ADVANCED METERING INFRASTRUCTURE) ON WALL (FOR VILLAS & SHEDS)

Note: All the above requirements should be strictly complied by the Developers /Contractors before submitting the application for new connection.

REV.	DATE	DRN BY	CHD BY	AP'D BY	DESCRIPTION
<p>AUTHORITY:</p>  <p>GOVERNMENT OF DUBAI P.O. BOX: 564, DUBAI - U.A.E. FAX: 324 4022, TEL: 324 4444</p>					
<p>DEPARTMENT:</p> <p><b>PROJECTS &amp; ENGINEERING (WATER)</b></p> <p>TEL : 04-3220003, EMAIL: Branly.N@dewa.gov.ae</p>					
<p>PROJECT:</p> <p>AMI (ADVANCED METERING INFRASTRUCTURE) WATER METER INSTALLATION</p>					
<p>TITLE:</p> <p>AMI - WATER WATER METERS ON WALL (FOR VILLAS &amp; SHEDS)</p>					<p>CAD REFERENCE</p>
<p>PREPARED BY: <i>Shafiq</i></p>		<p>CHECKED BY: <i>Ahmed</i></p>		<p>SCALE: N.T.S</p>	
<p>DESIGNED BY: <i>Ahmed</i></p>		<p>APPROVED BY: <i>Brandy</i></p>		<p>DATE: 02.01.2026</p>	
<p>DRAWING NO:</p> <p>PEW-STD-AMI-001</p>					<p>REV</p> <p>5</p>